

LIFE FITNESS CONSUMER DIVISION

14150 Sunfish Lake Blvd.
Ramsey Minnesota, 55303-4803

U.S.A.

763.323.4500 FAX: 763.323.4794
800.328.9714 (Toll-free within the U.S. and Canada)

WORLDWIDE OFFICES

LIFE FITNESS CORPORATE HQ.

10601 W. Belmont Avenue
Franklin Park, Illinois 60131
U.S.A.
Tel: 847.288.3675
Fax: 847.288.3762
800.735.3867 (Toll-free in U.S./Canada)

LIFE FITNESS ASIA PACIFIC LTD

12th Floor, Tower 1, The Gateway
25 Canton Road
Tsimshatsui, Kowloon
HONG KONG
Tel: 011 852. 2. 891 6677
Fax: 011 852. 2. 575. 6001

LIFE FITNESS ATLANTIC BV

Atlantic Headquarters
Columbusstraat 25
3165 AC Rotterdam
THE NETHERLANDS
Tel: 011 31 10 294 5011
Fax: 011 31 10 294 5029

LIFE FITNESS DO BRAZIL

Brunswick Bowling and Billiards Ltda.
Alameda Rio Negro 433, Predio II 3
Andar, Sala 2
Aphaville Barueri
06454-904 Sao Paulo
BRAZIL
Tel: 055 11 7295 2217
Fax: 055 11 7295 2218

LIFE FITNESS AUSTRIA

Vertriebs Ges.mbH
Hinschiggasse 1
1100 Vienna
AUSTRIA
Tel: 011 43. 1. 61 57 198
Fax: 011 43. 1. 61 57 198.20

LIFE FITNESS BENELUX NV

Lambrechtshoekenlaan 309-311
B-2170 Antwerpen-Merksem
BELGIUM
Tel: 011 32 3 644 44 88
Fax: 011 32 3 644 24 80

LIFE FITNESS EUROPE GMBH

Siemensstrasse 3
85716 Unterschleissheim
GERMANY
Tel: 011 49. 89. 31 77 51.0
Fax: 011 49. 89. 31 77 51.99

LIFE FITNESS ITALIA S.R.L.

Via Vittorio Veneto 57
39042 Bressanone (BZ)
ITALY
Tel: 011 39. 0472. 835 470
Fax: 011 39. 0472. 833 150

LIFE FITNESS LATIN AMERICA

10601 West Belmont Avenue
Franklin Park, Illinois 60131
U.S.A.
Tel: 847.288.3675
Fax: 847.288.3762

LIFE FITNESS UK LTD

Queen Adelaide
Ely, Cambs CB7 4UB
UNITED KINGDOM
Tel: 011 44 1353-666017
Fax: 011 44 1353-666018

LIFE FITNESS JAPAN

Nippon Brunswick Bldg., #8F
5-27-7 Sendagaya
Shibuya-Ku, Tokyo 151-0051 Japan
Tel: 011 81- 3 - 3359 - 4309
Fax: 011 81- 3 - 3359 - 4307

Before using your Lifecycle exercise bike, it is essential that you read this ENTIRE Operation Manual and ALL Assembly Instructions.

It will help you set up your Lifecycle exercise bike quickly and give instructions on how to use it correctly.

FCC Warning - Possible Radio / Television Interference

NOTE: *This equipment has been tested and found to comply with the limits for a Class B digital device, pursuant to part 15 of the FCC rules. These limits are designed to provide reasonable protection against harmful interference in a residential installation. This equipment generates, uses and can radiate radio frequency energy, and if not installed and used in accordance with the instructions, may cause harmful interference to radio communications. However, there is no guarantee that the interference will not occur in a particular installation. If this equipment does cause harmful interference to radio or television reception, which can be determined by turning the equipment off and on, the user is encouraged to try to correct the interference by one or more of the following measures:*

- Reorient or relocate the receiving antenna.
- Increase the separation between the equipment and the receiver.
- Connect the equipment into an outlet on a circuit different from that to which the receiver is connected.
- Consult the dealer or an experienced radio/TV technician for help.



CAUTION: You are cautioned that any changes or modifications to this equipment could void your product warranty!

An authorized service representative must perform any service, other than cleaning or user maintenance. There are no user serviceable parts.

TABLE OF CONTENTS

Section	Description	Page
1.	Getting Started.....	5
1.1	Important Safety Instructions	5
1.2	Set Up	6
	How to Stabilize the Lifecycle [®] Exercise Bike	
	How to Adjust the Seat	
	How to Adjust the Footstraps	
1.3	Optional Settings for the Lifecycle Exercise Bike.....	9
	Maximum Workout Time	
	English / Metric Conversion	
2.	The Display Console	10
2.1	Display Console Overview.....	10
2.2	Display Console Descriptions	11
3.	Heart Rate Zone Training [®] + Exercise.....	13
3.1	Why Heart Rate Zone Training Exercise?.....	13
3.2	Heart Rate Monitoring	14
	The Polar [®] Heart Rate Chest Strap	
	The Lifepulse [®] Digital Heart Rate Sensors	
4.	The Workouts	15
4.1	Workout Descriptions.....	15
	To Begin a Lifecycle Exercise Bike Workout	
	Quick Start	
	Fat Burn and Cardio / Heart Rate Zone Training [®] +	
	Heart Rate Hill and Heart Rate Interval	
	Extreme HR [™]	
	Sport Training [™]	
	Hill	
	Random and Manual	
	Heart Rate Check Points	
	Fit Test	
	Fit Test Tips	
4.2	C7i/R7i-C9i/R9i Lifecycle Exercise Workouts (Chart).....	24
4.3	The Race Mode Option.....	24
4.4	How to Maximize Workouts on the Lifecycle Exercise Bike.....	25
	Selecting the Correct Intensity Level	
5.	Service and Technical Data	26
5.1	Preventive Maintenance Tips.....	26
5.2	How to Solve Basic Operating Problems	27
5.3	Troubleshooting the Heart Rate Chest Strap.....	27
5.4	How to Obtain Product Service.....	38
6.	Specifications	29
6.1	C7i/R7i Lifecycle Exercise Bike Specifications	29
6.2	C9i/R9i Lifecycle Exercise Bike Specifications	30

© 2000 Life Fitness, a division of Brunswick Corporation. All rights reserved. Life Fitness, Lifecycle, and Lifepulse are registered trademarks, and Heart Rate Zone Training, and "RELY ON IT" are trademarks of Brunswick Corporation. Any use of these trademarks, without the express written consent of Life Fitness is forbidden.

This Operation Manual describes the functions of the following products:

Lifecycle exercise bike Models:

C7i **C9i**
R7i **R9i**

See “Specifications” page in this manual for product specific features.

Statement of Purpose: The Exercise Bike is an exercise machine that enables users to simulate cycling in an upright or recumbent position depending on model configuration.

Life Fitness **STRONGLY** recommends seeing a physician for a complete medical exam before undertaking an exercise program, particularly if the user has a family history of high blood pressure or heart disease, or is over the age of 45, or smokes, has high cholesterol, is obese, or has not exercised regularly in the past year.

If, at any time while exercising, you experience faintness, dizziness, pain, or shortness of breath, you must stop immediately.

Life Fitness conseille **VIVEMENT** de consulter un médecin pour suivre un examen médical complet avant de se lancer dans un programme d'exercice. Ceci concerne surtout les utilisateurs avec des antécédents familiaux de tension élevée ou d'affections cardiaques, les personnes de plus de 45 ans, les fumeurs et les obèses, ainsi que tous ceux qui ont un taux élevé de cholestérol ou qui n'ont pas fait d'exercice régulièrement depuis un an.

Si, à tout moment pendant l'exercice, l'utilisateur ressent un malaise, un étourdissement ou une douleur, ou s'il se trouve à court de souffle, il doit immédiatement s'arrêter.

1. GETTING STARTED

1.1 IMPORTANT SAFETY INSTRUCTIONS

- Before using this product, it is essential that you read this ENTIRE operation manual and ALL instructions. The Lifecycle exercise bike is intended for use solely in the manner described in this manual.
- Always follow the console instructions for proper operation.
- Close supervision is necessary when used by or near children, invalids or disabled persons.
- Never operate a Life Fitness exercise bike if it has been dropped, damaged, or even partially immersed in water. Contact Life Fitness Customer Support Services for assistance.
- Never insert objects into any opening in your Lifecycle exercise bike. If an object should drop inside, carefully retrieve it. If you cannot reach the item, contact Life Fitness Customer Support Services.
- Never place liquids of any type directly on the unit, except in an accessory tray. Containers with lids are recommended.
- Do not use the Lifecycle exercise bike outdoors, near swimming pools or in areas of high humidity.
- Do not use the Lifecycle exercise bike in areas where aerosol spray products are being used or where oxygen is being administered. Such substances increase the danger of combustion and explosion.
- Keep all loose clothing, shoelaces, and towels away from the Lifecycle exercise bike pedals.
- Keep the area around your Lifecycle exercise bike clear of any obstructions, including walls and furniture.
- Always be careful and exercise caution when mounting or dismounting your Lifecycle exercise bike. Use the handlebar whenever additional stability is required.
- Wear shoes with rubber or high-traction soles. Do not use shoes with heels, leather soles, cleats or spikes. Do not use the bike in your bare feet.
- Do not tip the Lifecycle exercise bike on its side during operation.



CAUTION: Life Fitness STRONGLY recommends that if you are undertaking an exercise program please see your physician for a complete medical exam, particularly if you have a family history of high blood pressure or heart disease, are over the age of 45, or if you smoke, have high cholesterol, are obese, or have not exercised regularly in the past year.

If, at any time while exercising, you experience faintness, dizziness, pain, or shortness of breath, you must stop immediately.

SAVE THESE INSTRUCTIONS FOR FUTURE REFERENCE

1.1 CONSIGNES DE SÉCURITÉ IMPORTANTES

- Avant d'utiliser ce produit, lire impérativement ce manuel d'utilisation en ENTIER, ainsi que TOUTES les instructions. Le vélo d'exercice Lifecycle est conçu pour être utilisé uniquement de la manière décrite dans ce manuel.
- Les instructions de la console doivent toujours être suivies pour obtenir un fonctionnement correct.
- Une surveillance étroite est nécessaire lorsque cet appareil est utilisé en présence d'enfants, d'invalides ou de handicapés, ou par ces personnes.
- Ne jamais faire fonctionner de vélo d'exercice Life Fitness qui serait tombé ou aurait été endommagé ou partiellement immergé dans l'eau. Appeler le service clientèle de Life Fitness pour obtenir de l'assistance.
- Ne jamais insérer d'objets dans un orifice du vélo d'exercice Lifecycle. Tout objet accidentellement tombé à l'intérieur doit être récupéré. S'il est impossible de l'atteindre, contacter le service clientèle de Life Fitness.
- Ne jamais placer de liquides quelconques directement sur l'appareil, sauf dans le plateau pour accessoires. Il est conseillé d'utiliser des conteneurs munis de couvercles.
- Ne pas utiliser le vélo d'exercice Lifecycle à l'extérieur, près d'une piscine ou dans des endroits très humides.
- Cet appareil ne doit pas être utilisé dans des salles où des vaporisateurs aérosols sont employés ou bien où de l'oxygène est administré. De telles substances augmentent les risques de combustion et d'explosion.
- Maintenir les vêtements lâches, les lacets et les serviettes à l'écart des pédales du vélo d'exercice Lifecycle.
- Maintenir la zone autour de l'appareil libre de toute obstruction, y compris murs et meubles.
- L'utilisateur doit toujours faire attention et procéder avec précaution lorsqu'il monte ou descend d'un vélo d'exercice Lifecycle. Utiliser le guidon afin de ne pas perdre l'équilibre.
- Porter des chaussures avec des semelles en caoutchouc ou fournissant une très bonne adhérence. Ne pas utiliser de chaussures à talons, de semelles en cuir ou de crampons. Ne pas utiliser ce vélo pieds nus.
- Ne pas renverser le vélo Lifecycle sur le côté pendant son fonctionnement.



MISE EN GARDE: Life Fitness conseille VIVEMENT de consulter un médecin pour suivre un examen médical complet avant de se lancer dans un programme d'exercice. Ceci concerne surtout les utilisateurs avec des antécédents familiaux de tension élevée ou d'affections cardiaques, les personnes de plus de 45 ans, les fumeurs et les obèses, ainsi que tous ceux qui ont un taux élevé de cholestérol ou qui n'ont pas fait d'exercice régulièrement depuis un an.

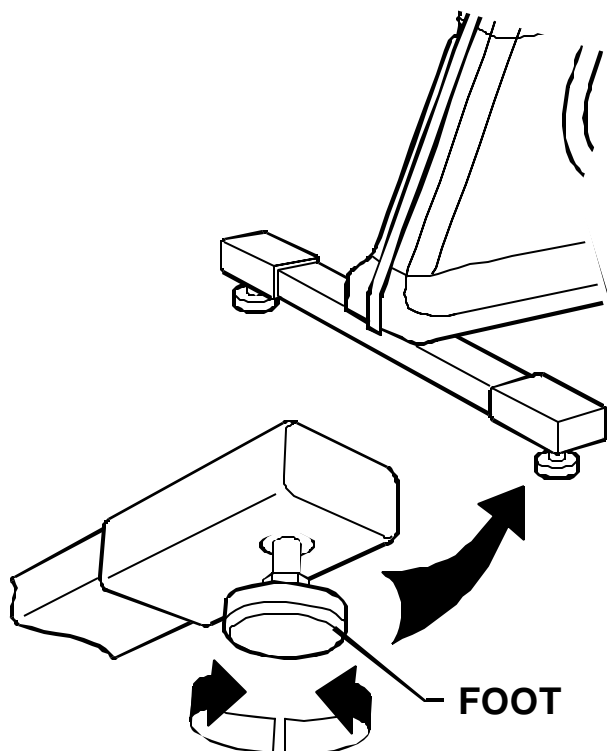
Si, à tout moment pendant l'exercice, l'utilisateur ressent un malaise, un étourdissement ou une douleur, ou s'il se trouve à bout de souffle, il doit s'arrêter immédiatement.

CONSERVER CES INSTRUCTIONS POUR TOUT USAGE ULTÉRIEUR.

1.2 SETUP

1.2.1 HOW TO STABILIZE THE LIFECYCLE EXERCISE BIKE

Depending on the surface on which you place your Lifecycle exercise bike on, it may need to be leveled. After you place the bike where you will be primarily using it, check the stability of the bike by attempting to rock it back and forth. If it rocks, it isn't level. To level it, rotate the foot on the stabilizer bar that appears to be higher counter-clockwise (as viewed from above) with your finger until the bike is level. Tighten the locknut.



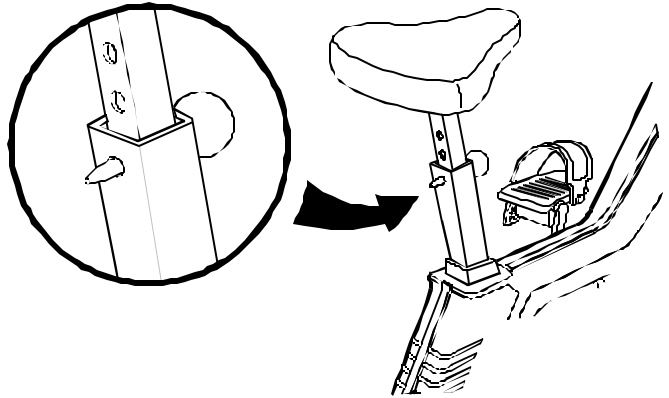
1.2.2 HOW TO ADJUST THE SEAT

A properly adjusted seat is extremely important in any bike-oriented exercise activity and the Lifecycle exercise bike is no exception. If the seat is too close, excessive strain will be placed on the knees and quadriceps muscles; if the seat is too far, the resulting reaching action will irritate the feet, ankles, hips and knees.

Sit on the seat and place the balls of your feet on the pedals. An optimum position will allow you to move through the bottom of the stroke without locking your knees or shifting in the seat (your knees should have a slight bend at the point of fullest leg extension).

UPRIGHT EXERCISE BIKES :

If the seat needs to be adjusted, dismount the bike. Pull out the adjusting pin located on the front of the seat post. Slide the seat post up or down as necessary to the proper position and re-insert the pin to complete engagement. Check the seat height again and readjust it if necessary.



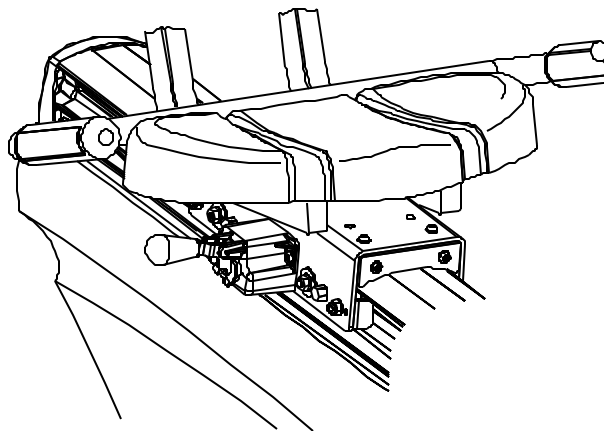
CAUTION: Do not attempt to adjust the seat while you are pedaling the bike. Doing so or failing to insert the seat pin completely may result in an uncomfortable workout or cause injury.



MISE EN GARDE : Ne pas essayer d'ajuster la selle pendant le pédalage. Tout ajustage en cours de fonctionnement ou toute insertion incomplète de la goupille de la selle pourrait nuire à l'exercice ou entraîner des blessures.

RECUMBENT EXERCISE BIKES :

If the seat needs to be adjusted, lift the spring-loaded adjusting handle located on the right, front side of the seat. Slide the seat forward or backward as necessary to the proper position and release the pin to complete engagement. Gently slide the seat forward and backward a small distance to ensure it is locked into place. Check the seat distance again and re-adjust it if necessary.



CAUTION: Do not attempt to adjust the seat while you are pedaling the bike. Doing so or failing to insert the seat pin completely may result in an uncomfortable workout or cause injury.



MISE EN GARDE : Ne pas essayer d'ajuster la selle pendant le pédalage. Tout ajustage en cours de fonctionnement ou toute insertion incomplète de la goupille de la selle pourrait nuire à l'exercice ou entraîner des blessures.

1.2.3 HOW TO ADJUST THE FOOTSTRAPS

The pedals on your Lifecycle exercise bike have footstraps with slits on both the inside and the outside of each strap. To adjust the width of the straps, grasp the outside of the strap and pull down and away from the knob. Once the slotted end is removed, choose a width that will feel the most comfortable while you are riding, reinsert the knob through the slot and pull the strap up. The strap will click when it locks in place.



CAUTION: Do not attempt to adjust the pedal footstraps while you are pedaling the bike. Doing so may result in an uncomfortable workout or cause injury.



MISE EN GARDE : Ne pas essayer d'ajuster les cale-pieds pendant le pédalage. Cela pourrait nuire à l'exercice ou entraîner des blessures.

1.3 OPTIONAL SETTINGS FOR THE LIFECYCLE EXERCISE BIKE

1.3.1 MAXIMUM WORKOUT TIME

The Maximum Workout Time Option allows the maximum workout time to be changed from the default maximum time limit of 99 minutes to anywhere from 1 to 99 minutes. Altering the maximum workout time will affect all workouts except the Fit Test. To change the Lifecycle exercise bike maximum workout time, proceed as follows:

1. Press and hold the Down Arrow Key.
2. Begin pedaling (you must reach a minimum of 35 RPM), then press the Start Key.

All LED's and 14-segment displays will be illuminated. This is called Diagnostic State 1. There are fifteen distinct Diagnostic States and the maximum workout time default settings reside in Diagnostic State 6. Each time you press the Enter Key you will advance one diagnostic state. Continue to advance to Diagnostic State 6.

3. When you reach Diagnostic State 6, the current "MAXIMUM DURATION" setting will be displayed. The default maximum workout time is 99 minutes.
4. Use Down Key to decrease the "MAXIMUM DURATION" or the Up Key to increase the "MAXIMUM DURATION".
5. To exit the Diagnostic States, press the Clear Key repeatedly until you return to the User Display. The User Display is the initial Display Console you see when you approach the unit for normal operation.

1.3.2 ENGLISH / METRIC CONVERSION

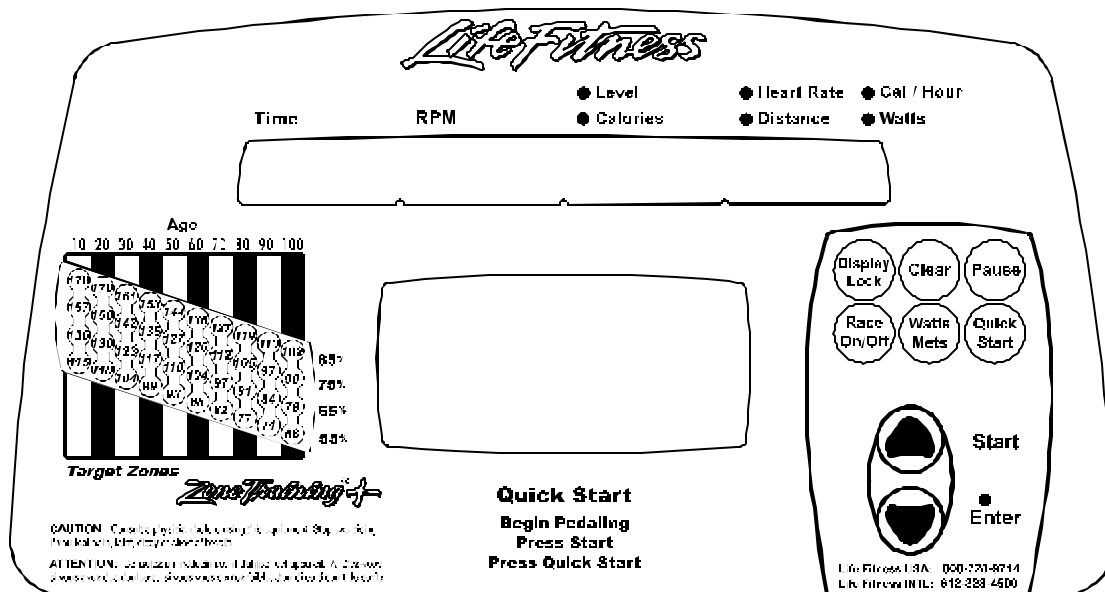
The factory default is set to English measurement. When you reach Diagnostic State 8 (see above), the Data Entry Window will display ENGLISH to designate English units. To change the default to metric measurement, press the Up/Down Keys and the system will toggle between English and metric units and display METRIC.

For more information on the other 13 Diagnostic States, please refer to the Lifecycle Service Manual, available from Life Fitness Customer Support Services. (See *How To Obtain Product Service* for information on how they can be reached).

2 THE DISPLAY CONSOLE

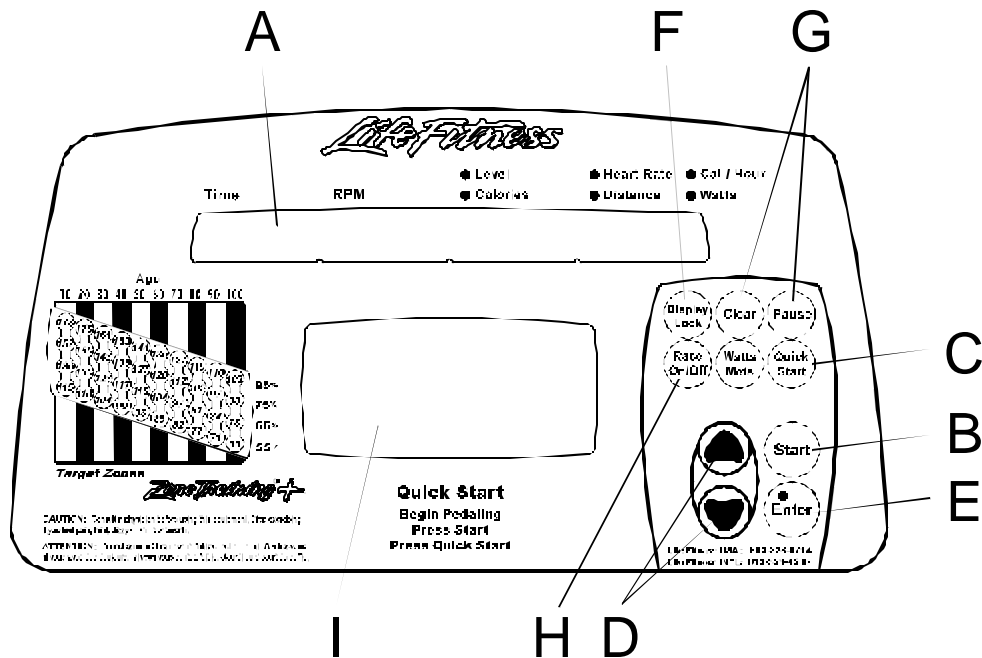
2.1 DISPLAY CONSOLE OVERVIEW

The Lifecycle exercise bike's Display Console is easy to use, and it allows you to follow your progress as you ride. The on-board computer lets you tailor your workouts to your individual fitness capabilities and goals while providing a unique means of measuring your fitness improvement from one workout to the next.



2.2 DISPLAY CONSOLE DESCRIPTIONS

- A. MESSAGE CENTER: Provides all the instructions for programming the Lifecycle exercise bike. In addition it displays Elapsed Time, Level or Calories, and Speed. Heart Rate, Calories Per Hour, Distance Traveled, Watts, MPH (in Race Mode) are alternately displayed. The alternating display can be locked on any one value by depressing the Display Lock Key.
- B. START: The Start Key activates the Display Console after you begin pedaling and is then inactive for the remainder of the workout.



- C. QUICK START: Use this key after pressing the Start Key and immediately begin a Manual Workout.
- D. THE ARROW keys: Use these keys to select all of your workout parameters, including length of time of your ride, age, weight, gender, target heart rate and effort level. You can also increase or decrease your effort level at any time by pressing either of the Up/Down Keys (or change your target heart rate if you are in the Fat Burn, Cardio, Heart Rate Hill, Heart Rate Interval, or Extreme HR Workouts).
- E. ENTER: Use this key to execute input of any information which you have keyed. It is not necessary to press Enter when keying in a new effort level.
- F. DISPLAY LOCK: This key allows you to freeze the Message Center Display on one set of feedback information – Heart Rate, Calories / Hour, Miles (Kilometers), Watts, etc. To unlock the display, simply push the Display Lock Key again.
- G. CLEAR- Use the Clear Key during programming to clear an erroneous value. Press the key once to end your current workout and show the Workout Summary. Press the key a second time to clear the summary information and the Message Center Window prompts you to choose a workout.

PAUSE: Use the Pause Key to put your workout on hold or restart it.

To place your workout on hold, *press the key once* and continue pedaling (remember, you are powering the machine; if you stop pedaling, all power is lost and the display will go blank). Pedal resistance drops to the minimum when the Lifecycle exercise bike is paused; the stopwatch function is activated and the Elapsed Time Window begins counting up from zero. Use this as a brief rest period if you feel fatigued or to take your heart rate.

- H. RACE ON / OFF: Lets you toggle in and out of the Race Mode at any time in the Hill, Random and Manual Workouts. The Speed / RPM display will toggle between RPM and MPH / KPH every five seconds. Your MPH will be dependent on your pedal speed and the level chosen. (See the Race Option information).

- I. **WORKOUT PROFILE WINDOW:** Displays a matrix of lights showing your present position and upcoming terrain. The higher the column of lights the greater the resistance. The left-most column of lights represents your current position. The remaining columns show the upcoming terrain. As your workout progresses, the lights move across the screen from right to left.

In the Fat Burn, Cardio, Heart Rate Hill, Heart Rate Interval, and Extreme HR Workouts, a heart shape (?) will be displayed in the window when you are required to grasp the Lifepulse sensors (C9i/R9i models), and indicating that your heart rate is needed. A flashing heart will also appear at the conclusion of the Fit Test. The heart rate will be read automatically on telemetry equipped models (C7i/R7i) when wearing a heart rate chest strap.

3 HEART RATE ZONE TRAINING^â + EXERCISE

3.1 WHY HEART RATE ZONE TRAINING EXERCISE?

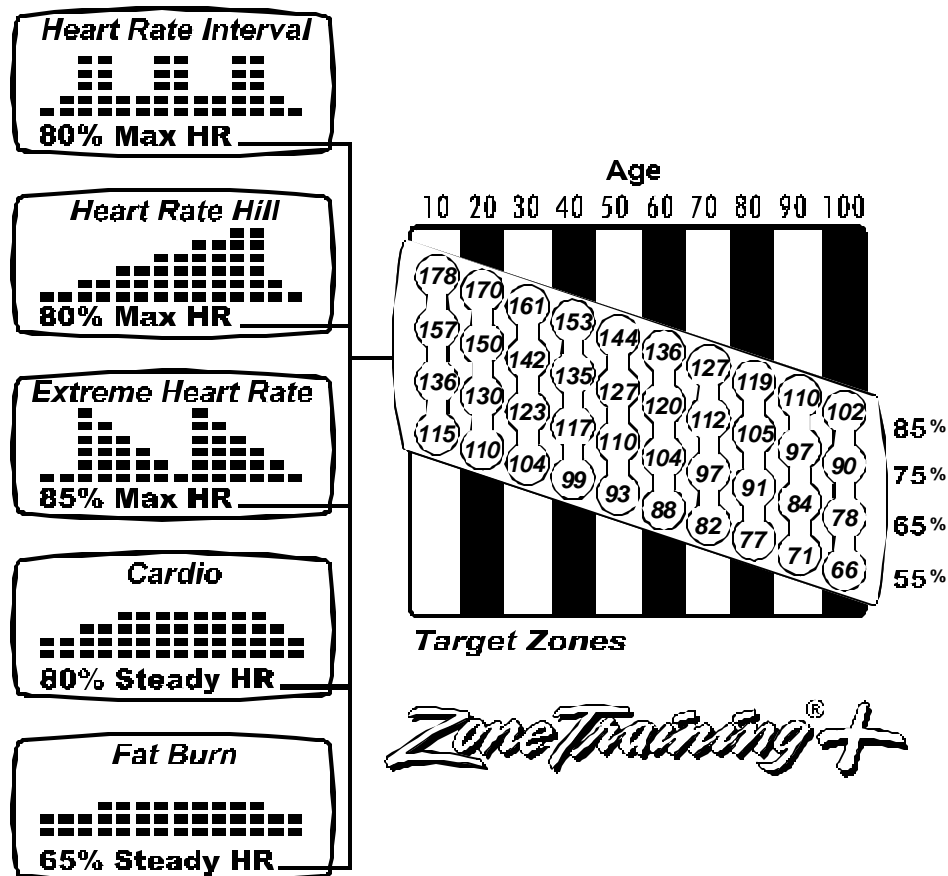
Research shows that exercising within a specific heart rate range is the optimal way to monitor exercise intensity and achieve maximum results. That is the idea behind the Life Fitness Heart Rate Zone Training+ Exercise Program.

Zone Training takes the guesswork out of working out by identifying specific ranges, or zones, in which to maintain a heart rate to achieve maximum exercise results according to personal goals. In short, Zone Training all but eliminates under- and over-training by allowing you to target your heart rate to your individual fitness objectives.

For instance, if the primary goal is to burn fat, exercise at a level between 60% and 75% of your theoretical maximum heart rate[†]. To improve your cardiovascular condition, you should work out at 75% to 85% of your theoretical maximum heart rate.

Life Fitness offers five exclusive workouts designed to take full advantage of the benefits of Heart Rate Zone Training: Fat Burn, Cardio, Heart Rate Hill, Heart Rate Interval, and Extreme HR. Vary the focus of the exercise activities by entering a new target heart rate with the Arrow Keys.

These 5 workouts measure heart rate. As you exercise, grasp the Lifepulse sensors when prompted (models C9i or R9i), or simply wear a heart rate chest strap on telemetry equipped models (C7i and R7i) and your heart rate will be transmitted to the on-board computer. The resistance level will automatically adjust to maintain the target heart rate based on your actual heart rate.



[†] Defined by the American College of Sports Medicine's "Guidelines for Exercise Testing and Prescription" as 220 minus your age.

3.2 HEART RATE MONITORING

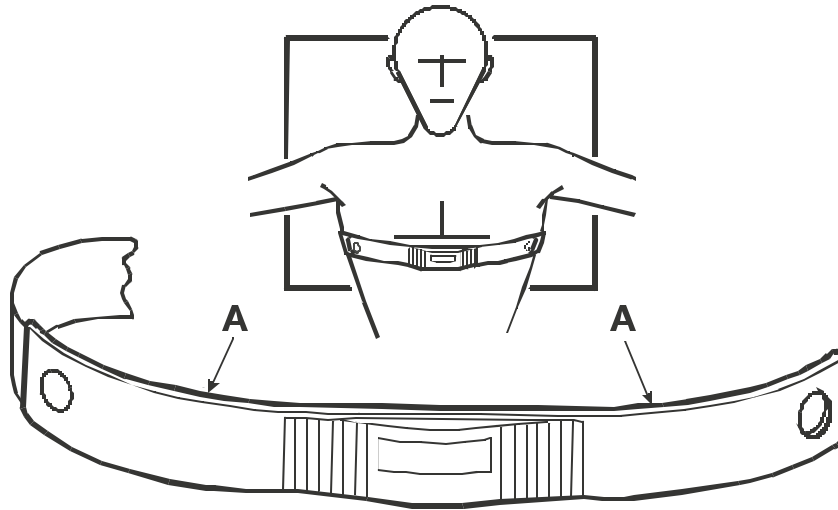
3.2.1 THE POLAR® HEART RATE CHEST STRAP (MODELS C7i and R7i)

Wet the electrodes (A) to the transmitter (the two grooved surfaces on the underside of the strap) and secure the strap as high under the chest muscles as possible. The strap should be snug, but comfortable enough to allow for normal breathing.

The transmitter strap will deliver an optimum heart rate reading when the electrodes are directly in contact with bare skin. However, it will function properly through wet, lightweight clothing.

The key to proper operation is for the electrodes to remain wet to conduct the electrical impulses of the heart back to the receiver.

If it becomes necessary to remoisten the chest strap transmitter, grasp the center of the strap, pull it away from the chest to expose the two electrodes, then moisten them in this position.



3.2.2 THE LIFEPULSE® DIGITAL HEART RATE SENSORS (MODELS C9i and R9i)

The patented Lifepulse Digital Heart Rate Sensors are the built-in heart rate monitoring system on the Lifecycle C9i/R9i exercise bike.

To use the Lifepulse sensors, simply grasp the stainless steel sensors on the handlebars when the Display Console prompts you with the (?), or anytime you wish to check your heart rate. There are four sensors, two on each arm.

You must make contact with all four to obtain your heart rate. The console will display your heart rate in 10 to 40 seconds, depending on the individual.

4 THE WORKOUTS

4.1 WORKOUT DESCRIPTIONS

Selecting a workout on your Life Fitness exercise bike is easy. Ten computerized aerobic workouts, including the exclusive Fat Burn, Cardio, and Fit Test workouts, are preprogrammed on your Lifecycle exercise bike:

4.1.1 TO BEGIN A LIFECYCLE EXERCISE BIKE WORKOUT

Use the following steps to begin any of the Lifecycle workouts.

- First adjust the seat position and make certain the seat pin is properly locked and the bike is level.
- Begin pedaling and press the Start Key.
- Select a workout by pressing the Up/Down Keys until the workout you want appears in the Message Center and then press Enter (or wait 10 seconds and your selection will be automatically entered).

Your Lifecycle exercise bike features graduated levels of intensity to more closely simulate riding through hills and valleys. As you encounter hills in various workouts, the pedal resistance will increase or decrease for the duration of that hill.

The Lifecycle exercise bike is a "constant work" machine; in the Sport Training, Hill, Race, Random, and Manual Workout, pedal resistance automatically compensates for changes in RPM. In other words, the slower you pedal, the greater the resistance; conversely, the faster you pedal the less resistance you feel.* The distance you travel will remain the same; pedaling faster will not bring you to the end of a workout sooner nor burn more calories, assuring you of a consistent workout.

NOTE: *Mileage readings are arbitrary and should not be used to compare workouts. Total calories burned is the best measure of the amount of work performed in any given workout.*

4.1.2 QUICK START

The fastest way to begin exercising, allows you to immediately start a Manual Workout.

You can “**Quick Start**” a Manual Workout without selecting a workout. To do so, just begin pedaling, press Start. Then press the “Quick Start” Key.

REMEMBER: You can change levels at any time during your workout[†] by simply keying in a new level using the Arrow Keys!

4.1.3 FAT BURN AND CARDIO/HEART RATE ZONE TRAINING[®] + WORKOUTS

- Begin a Lifecycle workout (see beginning of this section).
- Enter your age using the Up/Down Keys to receive your computed Target Heart Rate. Press Enter to accept the calculated target or input your own target heart rate using the Up/Down Keys, and press Enter.
- The Message Center will prompt you to enter a time from 1–99 minutes (or the maximum time preprogrammed on unit). Key in the time you want your workout to last and press Enter.
- Finally, select a warm-up effort level from 1 – 20. The effort level will be displayed in the Data Entry Window (you do not need to press Enter) and your heart rate management workout will begin a three minute warm-up at this level or until you reach your Target Heart Rate, whichever comes first, followed by the actual heart rate controlled portion of the workout.

*This is true as long as you pedal faster than 65 RPM, the resistance will drop off to the point where you can continue pedaling at a pace sufficient to maintain power to the console.

[†] Except in the Heart Rate controlled workouts, in which you may change your Target Heart Rate.

FAT BURN WORKOUT

The Fat Burn and Cardio heart rate workouts adjust the resistance of the Lifecycle exercise bikes in response to your heart rate. These two workouts use either the technology of the Lifepulse Digital Sensors (models C9i and R9i) or Polar[®] compatible telemetry (models C7i and R7i) to monitor your heart rate and automatically adjust the work load to maintain your Target Heart Rate. The end result is a perfect workout every time, eliminating both under- and over-training.

On the Lifecycle exercise bike, the Fat Burn Workout will maintain your heart rate at 65% of your theoretical maximum heart rate[†] or another target heart rate that you enter. Pedal resistance will automatically adjust to maintain the target heart rate. Exercising at 65% of your theoretical maximum heart rate maximizes the aerobic benefits of exercise by accessing the body's fat stores for fuel and by allowing you to exercise longer.

CARDIO WORKOUT

The Cardio Workout is virtually identical to the Fat Burn Workout. The only difference is that your target heart rate is calculated at 80% of your theoretical maximum to accentuate cardiovascular improvement by placing a heavier workload on the heart muscle. If you wish to vary the focus of your exercise activities (once the warm-up is complete), you may switch back and forth between the Fat Burn and Cardio Workouts at any time during a workout by simply pressing the Enter Key- creating the ultimate interval training workout!

Remember, you may change your Target Heart Rate at any time after the warm-up period by simply pressing the Up/Down Keys or toggling Fat Burn and Cardio target heart rates using the Enter Key.

The Life Fitness Heart Rate Zone Training workouts begin with a three-minute warm-up period designed to safely get you closer to your target heart rate from a resting start. It should take two to three minutes for your heart rate to reach your target.

NOTE: *If your heart rate is above the chosen target during the warm-up period, the warm-up period will immediately end and the Lifecycle exercise bike will begin automatically varying its resistance to maintain your target heart rate.*

[†] Defined by the American College of Sports Medicine's "Guidelines for Exercise Testing and Prescription" as 220 minus your age.

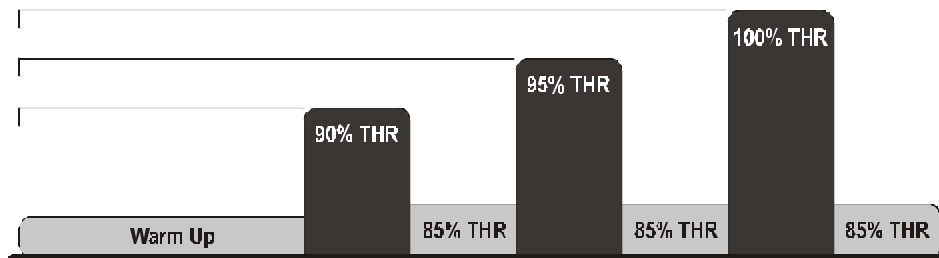
4.1.4 HEART RATE HILL AND HEART RATE INTERVAL WORKOUTS

These workouts combine both the standard Hill workout profiles with the Fat Burn and Cardio workout profiles. You are asked to enter your age as in standard Fat Burn and Cardio Heart Rate Workouts. A recommended workout Heart Rate is then calculated for you. You are shown this value and asked to accept or change it using the Arrow Keys and/or Enter Key. This value is used as the upper value of your workout zone. The lower values of this zone are automatically calculated based on which program you selected. During the workout your Heart Rate Zone is tracked to see how long you stay in your zone. If your heart rate reaches or goes past the Theoretical Maximum for more then 45 seconds, the unit will automatically drop into PAUSE mode.

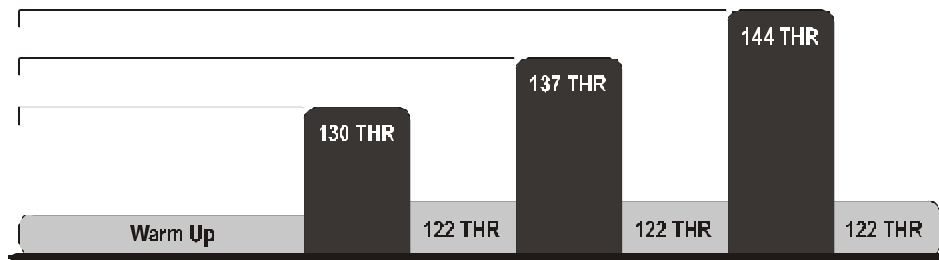
HEART RATE HILL WORKOUT

HEART RATE HILL takes you through 3 intensity levels based on your target heart rate. This workout is similar to the standard heart rate program, except your Target Heart Rate goal varies. If you reach the first heart rate goal, then a new goal is set. This workout consists of 3 hills based on 3 heart rate goals: Hill #1 is 90% Target Heart Rate (THR). Hill #2 is 95% THR. Hill #3 is THR. The valley will always be defined as 85% of the THR.

The time, or duration you spend at a given heart rate goal is fixed at 1 minute once you reach your goal. If you don't reach the given goal, you won't encounter any other goals. Your fitness level determines the number of hills and valleys you encounter. Workout duration is based on time and thus can end during any Target Heart Rate goal.



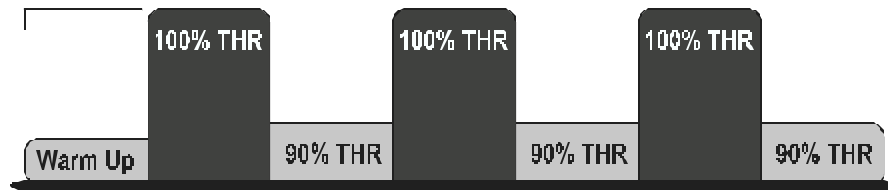
Heart Rate Hill Workout Profile



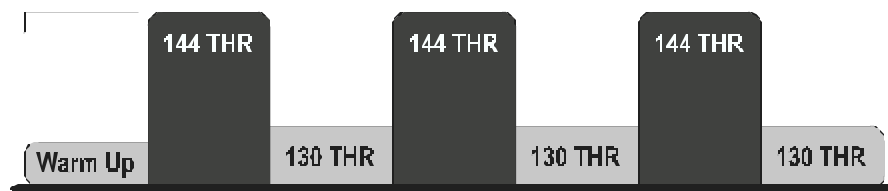
User Example (40 year old / 144 recommended THR)

HEART RATE INTERVAL WORKOUT

HEART RATE INTERVAL Workout toggles you through 2 intensity levels based on your target heart rate. Duration of the hills and valleys is 3 minutes each, after you reach your current goal. Your fitness level determines the number of hills and valleys you encounter.



Heart Rate Interval Workout Profile

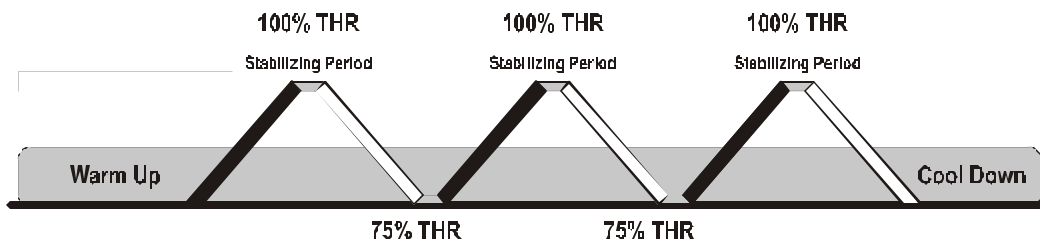


User Example (40 year old / 144 recommended THR)

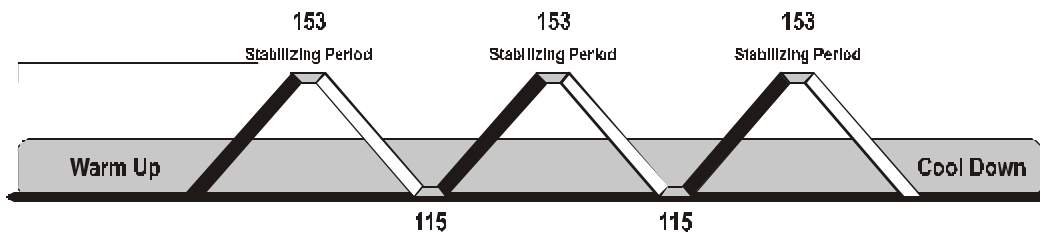
4.1.5 EXTREME HR WORKOUT

EXTREME HR Workout is an intense workout for more experienced users. This workout is used to add variety to your workout and break through plateaus.

This workout raises and lowers your heart rate between two different goals. The objective is to get your heart rate up and down as quickly as possible, and is similar to running sprints.



Heart Rate Interval Workout Profile



User Example (40 year old / 153 recommended THR)

Begin with a standard 3-minute warm up. After warm-up, the resistance is increased until the heart rate reaches Target Heart Rate (THR). Your heart rate is maintained at THR for a stabilizing period. Then the resistance is reduced. When your heart rate recovers to 75% THR, it is maintained at 75%THR for a stabilizing period. Then, the bike increases resistance again. This will keep happening until your workout duration is reached.

4.1.6 SPORT TRAINING WORKOUT

SPORT TRAINING Workout simulates conditions that a biker would experience when cycling in an outdoor environment. Baseline level is hill #3, which simulates flat biking in an outdoor environment. Hill #1 simulates going downhill in an outdoor environment. Inclines last 30 to 60 seconds.

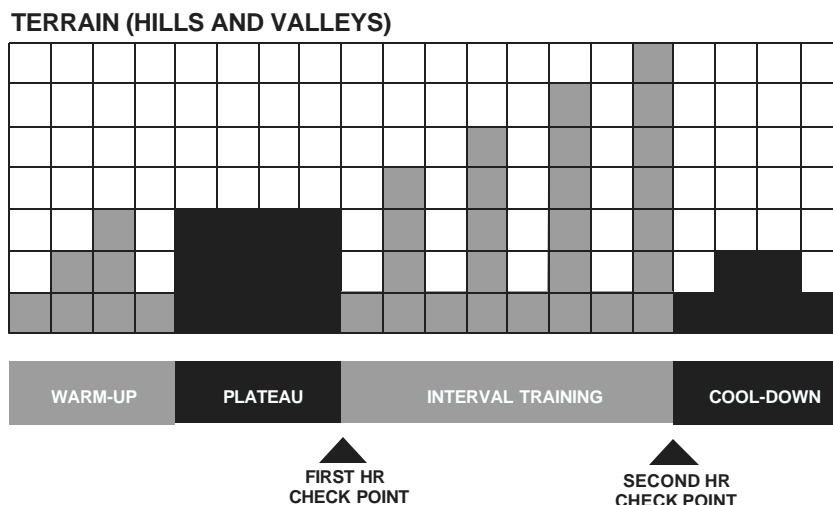
4.1.7 HILL WORKOUT

HILL is an interval-training workout consisting of a warm-up period followed by a plateau of constant effort, progressively more difficult levels of effort (hills) separated by periods of recovery (valleys) and a cool-down period.

The Lifecycle exercise bike's patented Hill Workout offers the ideal configuration for interval training: periods of intense aerobic activity separated by regular intervals of lower-intensity exercise. Interval training programs have been scientifically demonstrated to yield greater cardiorespiratory improvement than steady-pace training.

Not only does the Hill Workout offer the challenge of alternating periods of high and low intensity, but the levels of intensity become progressively more difficult during the course of the workout. Because you have the option of working out in a Hill Workout for anywhere from 1 to 99 minutes, and because the Hill Workout is composed of four distinct phases, the workout must be structured differently to accommodate the entire array of workout durations. Longer workouts add more hills.

The Hill diagram below shows the effort level and recovery periods encountered during a Hill Workout. Effort and recovery periods are simulated on the Display Console by columns of lights in the Program Profile Window. The columns move from right to left during the workout. The higher the column, the higher the incline; consequently, you must increase the effort.



Each Hill Workout session comprises the following phases:

(1) Warm-up, (2) Plateau, (3) Interval Training, and (4) Cool-down.

- **Warm-up:** Gradually brings your heart rate into the lower portion of your Target Heart Rate Zone, increasing respiration and blood flow to working muscles.
- **Plateau:** Brings your heart rate into your target zone. Check your heart rate at the end of the plateau period to ensure that you have entered your Target Heart Rate Zone.
- **Interval Training:** A series of hills and valleys. During this portion of your workout, you will be confronted with sets of four successively steeper hills, each separated from the next by a valley, or recovery period. Check your heart rate at the end of the interval-training period to ensure that you have stayed within your target zone.
- **Cool-down:** The cool-down allows your body to begin removing accumulated by-products of exercise, such as lactic acid, which build up in muscles during your workout and contribute to muscle soreness.

4.1.8 RANDOM AND MANUAL WORKOUTS

RANDOM WORKOUT

RANDOM is a workout of varying effort levels which occur randomly with each exercise session, resulting in more than one million workout combinations.

The computer randomly selects hill and valley terrain, which varies with each and every workout, resulting in those more than one million combinations. Because resistance levels are greater in this program than in the Hill Workout, it is recommended that the Random Workout be set one or two levels lower than the level of intensity you would normally select on the Hill Workout.

MANUAL WORKOUT

MANUAL maintains a constant effort level based on the goals selected.

The Manual Workout provides steady-pace exercise equal to that of the highest hill encountered on the Hill Workout at the same level of effort. Because of the greater resistance levels of this workout, it is recommended that you set the Manual Workout lower than the level of effort that you would normally select on the Hill Workout.

You can design your own interval-training workout using the Manual Workout by varying the level of effort during the course of your workout. To do so, select a high level of resistance until you reach the upper end of your Target Heart Rate Zone, then ride at a lower effort level until your heart rate drops to the bottom of your target zone. Then increase the level of effort again until you are back to the upper portion of your target zone. By repeating this process, you will actually be creating your own hills and valleys.

4.1.9 HEART RATE CHECK POINTS

For Fat Burning:

- ✓ **First Heart Rate Check Point** — Your heart rate should be between 60% and 70% of the theoretical maximum heart rate for your age category.
- ✓ **Second Heart Rate Check Point** — Your heart rate should be between 70% and 75% of the theoretical maximum heart rate for your age category.

For Cardio:

- ✓ **First Heart Rate Check Point** — Your heart rate should be between 75% and 80% of the theoretical maximum for your age category.
- ✓ **Second Heart Rate Check Point** — Your heart rate should be between 80% and 85% of the theoretical maximum for your age category.

Be sure to check your heart rate near the end of the plateau and interval training periods. If you are not wearing a heart rate chest strap (models C7i and R7i), see Hill diagram above. You should always take your heart rate at the time indicated to make sure you are staying within your target heart rate zone.

4.1.10 FIT TEST WORKOUT

The Lifecycle Exercise Bike Fit Test Workout is another exclusive feature of this versatile exercise bike. Your Fit Test score is also an approximate measure of your VO2 max; think of it as your relative fitness score. Use the Fit Test to monitor improvement in your endurance every four to six weeks.

- After selecting the Fit Test Workout using the Up/Down Keys, the Message Center will ask for your age (ENTER AGE). Use the Up/Down Keys to input your age and press Enter Key.
- After entering your age, you will be asked for your weight (SELECT WEIGHT). Use the Up/Down Keys to input your weight and press Enter Key.
- After entering your weight, the Message Center will prompt you to select your gender (SELECT GENDER). Press the Up/Down Keys to do so, up for male or down for female and then press Enter Key.
- After selecting a gender the Message Center will prompt you to select a workout level (SELECT LEVEL). Consult the Activity Levels chart on the following page for the effort level you should input based on your age, gender, and activity level. Use the Up/Down Keys to enter the corresponding level.

After having completed the five-minute Fit Test, you will be prompted to grasp the LifePulse Sensors (C9i/R9i models), or your heart rate will be automatically entered from your heart rate chest strap by the on-board computer (C7i/R7i models). To enter heart rate manually, use the Time prompt to take your pulse and enter it with the Up/Down Keys. The Fit Test score will be displayed, which you can use to find your ranking in the Fit Test scoring tables located in this section.

NOTE: Mileage readings are arbitrary and should not be used to compare workouts in different programs. Total calories burned is the best measure of the amount of work performed in any given workout.

RECOMMENDED FIT TEST LEVELS

AGE	WEIGHT	(KG)	INACTIVE	ACTIVE	VERY ACTIVE
<30	<130	<59	3	7	8
	131 - 169	59,5 – 76,8	7	8	12
	170 - 210	72,3 – 95,5	8	12	15
	>210	>95,5	12	15	16
30-39	<130	<59	2	3	7
	131 - 169	59,5 – 76,8	3	7	8
	170 - 210	72,3 – 95,5	7	8	12
	>210	>95,5	8	12	15
40-49	<130	<59	2	2	3
	131 - 169	59,5 – 76,8	3	3	7
	170 - 210	72,3 – 95,5	3	7	8
	>210	>95,5	7	8	12
50+	<130	<59	2	2	2
	131 - 169	59,5 – 76,8	2	3	3
	170 - 210	72,3 – 95,5	3	3	7
	>210	>95,5	3	7	8

NOTE: If your weight varies from these values substantially, you may wish to increase or decrease the indicated levels accordingly.

If your heart rate is below 65% of your theoretical maximum heart rate at the conclusion of the Fit Test, retake the test at a higher level.

The Fit Test is an estimate of your VO2 max, which is a measurement of how well the heart supplies oxygenated blood to the exercising muscles and how efficiently those muscles receive oxygen from the blood. This measurement is generally regarded by physicians and exercise physiologists as the standard for aerobic capacity.

4.1.11 FIT TEST TIPS

The computer will not accept:

- Heart rates less than 90 or greater than 199 beats per minute
- Body weights less than 74 pounds (34 kg) or greater than 350 pounds (159 kg)
- Ages below 10 or over 99 years
- Data input that exceeds human potential

If you make an error when entering any Fit Test data, you can correct it by pressing Clear, inputting the correct information, and pressing Enter.

It is important to take the Fit Test under similar circumstances each time. The heart rate is dependent on many factors, including:

- Amount of sleep the previous night (at least seven hours is recommended)
- Time of day
- Time since last meal (two to four hours after the last meal is recommended)
- Time since last drinking a liquid containing caffeine or alcohol, or smoking a cigarette (at least four hours is recommended)
- Time since having last exercised (at least six hours is recommended)

For the most accurate Fit Test results, you should perform the Fit Test on three consecutive days and average the three scores.

NOTE: *To receive a proper Fit Test score, you must work within your training heart rate zone, which is 60% to 85% of your theoretical maximum heart rate.*

REMARQUE : *Pour recevoir un score approprié au test d'exercice, il faut rester dans la zone de rythme cardiaque d'entraînement, comprise entre 60 et 85 % du rythme cardiaque maximum théorique.*

RELATIVE FITNESS CLASSIFICATION FOR MEN

	AGE				
Rating	20 - 29	30 - 39	40 - 49	50 - 59	60+
Elite	55+	52+	50+	48+	45+
Excellent	50 - 54	47 - 51	45 - 49	43 - 47	40 - 44
Good	45 - 49	42 - 46	40 - 44	38 - 42	35 - 39
Above Average	40 - 44	37 - 41	35 - 39	33 - 37	30 - 34
Average	36 - 39	33 - 36	31 - 34	29 - 32	26 - 29
Below Average	31 - 35	28 - 32	26 - 30	24 - 28	21 - 25
Poor	26 - 30	23 - 27	20 - 25	18 - 23	16 - 20
Very Poor	<26	<23	<20	<18	<16

RELATIVE FITNESS CLASSIFICATION FOR WOMEN

	AGE				
Rating	20 - 29	30 - 39	40 - 49	50 - 59	60+
Elite	49+	46+	44+	42+	40+
Excellent	44 - 48	41 - 45	39 - 43	37 - 41	35 - 39
Good	39 - 43	36 - 40	34 - 38	32 - 36	30 - 34
Above Average	34 - 38	31 - 35	29 - 33	27 - 31	25 - 29
Average	30 - 33	27 - 30	25 - 28	23 - 26	21 - 24
Below Average	25 - 29	22 - 26	20 - 24	18 - 22	16 - 20
Poor	20 - 24	17 - 21	15 - 19	13 - 17	11 - 15
Very Poor	<20	<17	<15	<13	<11

4.2 C7i/R7i AND C9i/R9i LIFECYCLE EXERCISE WORKOUTS (CHART)

Use the Up/Down Keys to scroll through the WORKOUTS, enter GOALS and VALUES, or to choose a HEART RATE.

NOTE: You can change your LEVEL and HEART RATE at any time during a workout (except FIT TEST).

QUICK START Press Start, press " Quick Start"	SPORT TRAINING™ Enter time Enter level
FAT BURN Enter age Enter Target Heart Rate† Enter time Enter level	HILL Enter time Enter level
CARDIO Enter age Enter Target Heart Rate† Enter time Enter level	RANDOM Enter time Enter level
HEART RATE HILL Enter age Enter Max Target Heart Rate† Enter time Enter level	MANUAL Enter time Enter level
HEART RATE INTERVAL Enter age Enter Max Target Heart Rate† Enter time Enter level	FIT TEST Enter age Enter weight Enter sex Enter level
EXTREME HR™ Enter age Enter Max Target Heart Rate† Enter time Enter level	

† Or accept calculated value shown

4.3 THE RACE MODE OPTION

Formerly a workout in and of itself, the Race Mode allows you to vary your pedal resistance to simulate the feel of an actual 20-speed racing bike in the Hill, Random, and Manual Workouts. Turn the Race mode on at any time and the Lifecycle exercise bike's 20 effort levels are transformed into the "gears" of a high performance road racing bicycle! The pedal resistance will change with the speed at which you pedal, enhancing your workout enjoyment while also allowing you greater control over the workout's intensity (the greater the resistance, the more LED's will be illuminated). The distance you travel and the calories you burn during your workout will also vary with your pedal speed.

4.4 HOW TO MAXIMIZE WORKOUTS ON THE LIFECYCLE EXERCISE BIKE

In the Lifecycle exercise bike's Manual, Random, and Hill Workouts, you can change the level of intensity at any time by simply pressing the Up/Down Keys. In addition, should you decide to choose a different workout after starting another, simply push the Clear Key twice to clear the first workout and then select the new workout.

4.4.1 SELECTING THE CORRECT INTENSITY LEVEL

The Lifecycle exercise bike offers 20 levels of intensity, or difficulty, from which to choose. Level 1 is the easiest and level 20 is the most challenging. Select a low effort level until you become accustomed to the Lifecycle exercise bike, then increase the intensity as your condition improves.

The Random and Manual Workouts are proportionately more difficult than the Hill Workout. Because of this, you should be careful to select an effort level in the Random Workout that is one to two levels lower than you would normally select in the Hill Workout. Conversely, if you choose the Manual Workout, you should select an intensity level that is at least three levels lower than the level you would normally work out at in the Hill Workout. The following table will allow you to compare the relative intensities of the four Lifecycle exercise bike computerized fitness workouts.

HILL	RANDOM	MANUAL OR FIT TEST
1	1	1
3	3	2
7	5-7	3
10	8	5
13	12-13	7
17	15	8
18-20	17-18	10
	20	12
		13
		15
		17
		18
		20

5 SERVICE AND TECHNICAL DATA

5.1 PREVENTIVE MAINTENANCE TIPS

Your Lifecycle exercise bike is backed by the engineering excellence of Life Fitness and is one of the most reliable, rugged and trouble-free pieces of exercise equipment on the market today. Commercial Life Fitness exercise bikes are among the most popular of aerobic trainers, regularly standing up to marathon use — 18 hours a day, 7 days a week — in health clubs, colleges and military facilities the world over. This same technology, engineering expertise, and reliability has gone into the Life Fitness Exercise Bike.

Here are some preventive maintenance tips that will keep your Lifecycle exercise bike operating at peak performance:

- Locate your Lifecycle exercise bike in a cool, dry place.
- Clean the seat surface regularly.
- Clean the seat extrusion with a soft cloth and a non-abrasive liquid cleanser; and check the seat adjustment pin insertion monthly.
- Keep the Display Console free of fingerprints and salt build-up caused by sweat. Use a 100% cotton cloth lightly moistened with water and a mild liquid detergent (other fabrics or paper towels may scratch the surface).
- Long fingernails may scratch the surface of the console. Use the pad of your fingertip to press the console keys.

NOTE: *NEVER remove the stabilizer bar. When cleaning the exterior of the unit, a non-abrasive cleanser and soft cotton cloth are strongly recommended. At no time should cleanser be applied directly to any part of the equipment; use non-abrasive cleanser on a soft cloth and then wipe the unit.*



CAUTION: DO NOT step on any portion of the housing when getting on or off the exercise bike; doing so may crack the housing. The correct way to get on (mount) the recumbent Lifecycle exercise bike is to step over and straddle the housing, then lower yourself onto the seat. Reverse the procedure to get off (dismount).



MISE EN GARDE: NE PAS marcher sur le cadre lors de la montée sur le vélo d'exercice ou lors de la descente, car cela risquerait de le fendre. Pour monter correctement sur le vélo d'exercice allongé Lifecycle, il convient d'enjamber le cadre, puis de s'asseoir sur le siège. Procéder à l'inverse pour en descendre.

5.2 HOW TO SOLVE BASIC OPERATING PROBLEMS

SYMPTOM	PROBABLE CAUSE	CORRECTIVE ACTION
No Power	9-volt battery missing 9-volt battery too low Harness not connected	Install 9-volt alkaline battery Replace 9-volt alkaline battery Disconnect and reconnect harness
Difficult to pedal	10 to 15 hour break-in period not complete	Ride the bike for 10 to 15 hours
Bike shuts off during ride	Pedaling too slow Not entering desired workout duration	Pedal at 35 rpm minimum Check that desired workout duration appears in display window prior to pressing Enter
Display flickers or fades in and out	Wire harness connector loose	Carefully remove console and disconnect then reconnect the 10-pin connector

5.3 TROUBLESHOOTING THE HEART RATE CHEST STRAP (MODELS C7i and R7i)

The Heart Rate Chest Strap is required when using either the C7i or R7i model, which is equipped with Polar compatible telemetry heart rate monitoring technology.

THE HEART RATE READING IS ERRATIC OR ABSENT ENTIRELY:

- Repeat the electrode wetting procedure (see How to Use the Optional Heart Rate Chest Strap). The electrodes must be wet to pick up and transmit accurate heart rate readings.
- Make sure the electrodes are flat against the skin.
- Wash the belt transmitter regularly with mild soap and water.
- Make sure the chest strap transmitter is within three feet (one meter) of the heart rate receiver.
- The estimated battery life of the chest strap transmitter is 2500 hours of use. If the chest strap transmitter battery is depleted, contact Life Fitness Customer Support Services for instructions on how to have your chest strap replaced. (See “How to Obtain Product Service,” for locations).

THE HEART RATE READING IS ERRATIC OR EXTREMELY HIGH (ABOVE 200):

- When exercising with the Heart Rate Chest Strap, it may come within range of electromagnetic signals strong enough to cause abnormally elevated heart rate readings. Possible sources of such signals include television sets and/or antennas, computers, cars, high voltage power lines and motor driven equipment. Another heart rate transmitter within three feet (one meter) may also cause abnormal heart rate readings.

NOTE: *There is a very small – less than one percent – portion of the general population whose heart rates can not be detected by heart rate monitors, including Electrocardiograph. This phenomenon is called biopotential and is extremely rare.*

5.4 HOW TO OBTAIN PRODUCT SERVICE

- 1 Verify the symptom and review the operating instructions and How To Solve Basic Operating Problems within this manual. The problem may be unfamiliarity with the Lifecycle exercise bike's features and programs.
- 2 Locate and document the serial number of the unit, which is located on the underside of the bike, just behind the front stabilizer bar.
- 3 Contact the nearest Life Fitness Customer Support Services Group:

TOLL-FREE WITHIN THE U.S. AND CANADA

Telephone: 800.328.9714
Telephone: 612.323.4500
FAX: 612.323.4794

For Product Service Internationally:

LIFE FITNESS EUROPE GMBH
Telephone: (+49). 89. 31 77 51.0
FAX: (+49). 89. 31 77 51.38

LIFE FITNESS (UK) LTD
Telephone: (+44) 1353-665507
FAX: (+44) 1353-666719

LIFE FITNESS BENELUX
Telephone: (+32) 3 644 44 88
FAX: (+32) 3 644 24 80

LIFE FITNESS ITALIA S.R.L.
Telephone: (+39). 0472. 835 470
FAX: (+39). 0472. 833 150

Life Fitness Austria Vertriebs GmbH
Telephone: (+43). 1. 61 57 198
FAX: (+43). 1. 61 57 198. 20

LIFE FITNESS ASIA PACIFIC LTD
Telephone: 852. 2575.6262
FAX: 852. 2. 575. 6001

LIFE FITNESS LATIN AMERICA
Telephone: (+1).847.288.3675
FAX: (+1).847.288.3762

LIFE FITNESS BRAZIL
Telephone: 055 11 7266 5210
FAX: 055 11 7295 2218

LIFE FITNESS ROTTERDAM
Telephone: 31 10 294 5011
FAX: 3110 294 5029

LIFE FITNESS JAPAN
Telephone: 81-3 - 3359 - 4309
FAX: 81- 3 - 3359 - 4306

6.0 SPECIFICATIONS

6.1 C7i/R7i LIFECYCLE EXERCISE BIKE SPECIFICATIONS

Designed use:	Consumer
Maximum user weight:	R7i: 350 pounds / 159 kilograms C7i: 250 pounds / 114 kilograms
Power requirements:	None
Workouts:	Quick Start, Fat Burn, Cardio, Heart Rate Hill, Heart Rate Interval, Extreme HR, Sport Training, Hill, Random, Manual, and Fit Test
Console displays:	Elapsed Time, Pedal RPM and MPH or KPH (Race Mode), Calories Per Hour, Watts and/or METS, Total Calories Burned, Distance Traveled (miles or kilometers), Resistance Level, and Heart Rate (when wearing a telemetry heart rate monitoring chest strap)
Heart rate monitor system:	Polar compatible telemetry heart rate monitoring system (with Heart Rate Chest Strap)
Color:	Dark Grey with Black Accents

PHYSICAL DIMENSIONS:

	C7i	R7i
Length:	46 inches / 116.8 centimeters	56 inches / 142.2 centimeters
Width:	23 inches / 58.4 centimeters	25 inches / 63 centimeters
Height:	55 inches / 139.7 centimeters	48 inches / 121.9 centimeters
Weight:	87 pounds / 39,4 kilograms	121 pounds / 54,8 kilograms

SHIPPING DIMENSIONS:

	C7i	R7i
Length:	46 inches / 116.8 centimeters	55 inches / 139.7 centimeters
Width:	23 inches / 58.4 centimeters	28 inches / 71.1 centimeters
Height:	37 inches / 94 centimeters	41 inches / 104.1 centimeters
Weight:	105 pounds / 47,6 kilograms	159 pounds / 72 kilograms

6.2 C9i/R9i LIFECYCLE EXERCISE BIKE SPECIFICATIONS

Designed use:	Consumer
Maximum user weight:	R9i: 350 pounds / 159 kilograms C9i: 250 pounds / 114 kilograms
Power requirements:	None
Workouts:	Quick Start, Fat Burn, Cardio, Heart Rate Hill, Heart Rate Interval, Extreme HR, Sport Training, Hill, Random, Manual, and Fit Test
Console displays:	Effort Level, MPH or KPH (Race Mode), Total Calories Burned, Distance Traveled (miles or kilometers), Elapsed Time, Heart Rate, Pedal RPM, Calories Per Hour, and Watts and/or METS
Heart rate monitor system:	Lifepulse Digital Heart Rate Sensors
Color:	Dark Grey with Black Accents

PHYSICAL DIMENSIONS:

	C9i:	R9i:
Length:	46 inches / 116.8 centimeters	56 inches / 142.2 centimeters
Width:	23 inches / 58.4 centimeters	25 inches / 63 centimeters
Height:	55 inches / 139.7 centimeters	48 inches / 121.9 centimeters
Weight:	87 pounds / 39.4 kilograms	121 pounds / 54.8 kilograms

SHIPPING DIMENSIONS:

	C9i:	R9i:
Length:	46 inches / 116.8 centimeters	55 inches / 139.7 centimeters
Width:	23 inches / 58.4 centimeters	28 inches / 71.1 centimeters
Height:	37 inches / 94 centimeters	41 inches / 104.1 centimeters
Weight:	105 pounds / 47.6 kilograms	159 pounds / 72 kilograms

TO RECEIVE MAXIMUM SERVICE & SUPPORT, COMPLETE AND RETURN THIS WARRANTY CARD TODAY!

WHAT IS COVERED:

This *Life Fitness* consumer product ("Product") is warranted to be free of all defects in material and workmanship.

WHO IS COVERED:

The original purchaser or any person receiving the Product as a gift from the original purchaser.

HOW LONG IS IT COVERED:

Residential: All electrical and mechanical components are covered, after the date of purchase, as listed on the chart. Labor is not covered, except as noted.

Non-Residential: Warranty void (this product is intended for residential use only).

WHO PAYS TRANSPORTATION & INSURANCE FOR SERVICE:

If the Product or any warranted part must be returned to a service facility for repairs, **We, Life Fitness**, will pay all transportation and insurance charges for the first year (within the United States, only). **You** are responsible for transportation and insurance charges during the second and third years (if applicable).

WHAT WE WILL DO TO CORRECT COVERED DEFECTS:

We will ship to you any new or rebuilt replacement part or component, or, at our option, replace the Product. Such replacement parts are warranted for the remaining portion of the original warranty period.

WHAT IS NOT COVERED:

Any failures or damage caused by unauthorized service, misuse, accident, negligence, improper assembly or installation, debris resulting from any construction activities in the Product's environment, rust or corrosion as a result of the Product's location, alterations or modifications without our written authorization or by failure on your part to use, operate and maintain the Product as set out in your Operation Manual ("Manual"). **All terms of this warranty are void if this product is moved beyond the continental borders of the United States of America (excluding Alaska, Hawaii and Canada) and are then subject to the terms provided by that country's local authorized Life Fitness Representative.**

WHAT YOU MUST DO:

Retain proof of purchase (our receipt of the attached registration card assures registration of purchase information but is not required); **use, operate and maintain** the Product as specified in the Manual; **notify** Customer Support Services of any defect within 10 days after discovery of the defect; if instructed, **return** any defective part for replacement or, if necessary, the entire Product for repair.

OPERATION MANUAL:

It is **VERY IMPORTANT THAT YOU READ THE MANUAL** before operating the Product. Remember to perform the periodic maintenance requirements specified in the Manual to assure proper operation and your continued satisfaction.

WARRANTY REGISTRATION:

Attached is a registration card. **COMPLETE and MAIL this card IMMEDIATELY.** Our receipt assures that your name, address and date of purchase are on file as a registered owner of the Product. Failure to return the card will not affect your rights under this warranty. Being a registered owner assures coverage in the event you lose your proof of purchase. In any event, always retain proof of purchase, such as your bill of sale.

HOW TO GET PARTS & SERVICE:

Simply call Customer Support Services at **(800) 328-9714** or **(763) 323-4500**, Monday through Friday from 8:00 a.m. to 6:00 p.m. Central Standard Time, and tell them your name, address and the serial number of your Product. They will tell you how to get a replacement part, or, if necessary, arrange for service where your Product is located or advise you on how and where to ship the Product for service.

Before shipping:

1. **obtain** a Return Authorization Number (**RA#**) from Customer Support Services
2. securely **pack** your Product (use the original shipping carton, if possible)
3. **write** the **RA#** on the outside of the carton
4. **insure** the Product, and
5. **include** a letter explaining the defect or problem and a copy of your proof of purchase if you believe the service is covered by warranty

EXCLUSIVE WARRANTY:

THIS LIMITED WARRANTY IS IN LIEU OF ALL OTHER WARRANTIES OF ANY KIND EITHER EXPRESSED OR IMPLIED, INCLUDING BUT NOT LIMITED TO THE IMPLIED WARRANTIES OF MERCHANTABILITY AND FITNESS FOR A PARTICULAR PURPOSE, AND ALL OTHER OBLIGATIONS OR LIABILITIES ON OUR PART. We neither assume nor authorize any person to assure for us any other obligation or liability concerning the sale of this Product. Under no circumstances shall we be liable under this warranty, or otherwise, of any damage to any person or property, including any lost profits or lost savings, for any special, indirect, secondary, incidental or consequential damages of any nature arising out of the use of or inability to use this Product. Some states do not allow the exclusion or limitation of implied warranties or of liability for incidental or consequential damages, so the above limitations or exclusions may not apply to you.

CHANGES IN WARRANTY NOT AUTHORIZED:

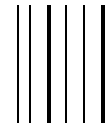
No one is authorized to change, modify or extend the terms of this limited warranty.

EFFECT OF STATE LAWS:

This warranty gives you specific legal rights and you may have other rights which vary from state to state.

OUR PLEDGE TO YOU:

Our Products are designed and manufactured to the highest standards. We want you completely satisfied with our Products and will do everything possible under the terms of this warranty to keep you secure in knowing you have bought the best...

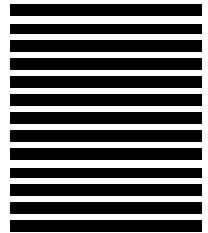


NO POSTAGE
NECESSARY IF
MAILED IN THE
UNITED STATES

BUSINESS REPLY MAIL
FIRST CLASS MAIL PERMIT NO. 100 ANOKA, MN



14150 Sunfish Lake BLVD
Ramsey, MN 55303-9940



... with Our Personal Guarantee

MODEL	LIFETIME	5 YEARS	3 YEARS	1 YEAR
Bikes C9i C7i C3 R9i R7i	Frame	Alternator, Resistance	Electrical and Mechanical Parts	Transportation & Insurance Charges, Electrical & Mechanical Parts.
Treadmills T5i T5 T3i T3	Lifespring™ shock absorbers, Frame	MagnaDrive™ Motor	Striding Belt, Deck, Electrical and Mechanical Parts	MagnaDrive™ Motor, Striding Belt, Deck, Electrical and Mechanical Parts, Transportation & Insurance Charges, Labor.

Note:

- The Telemetry Heart Rate Kit is warranted for 1 Year on Electrical Parts and 90 Days on the Elastic Strap.
- Shrouds, Product Decals and Console Overlays are warranted for 6 Months.

M051-00K20-A217
6841901

WARRANTY REGISTRATION

Please Fill In and Mail This Card Within 10 Days

Your Name: _____

Address: _____

City: _____

State: _____ Zip Code: _____

Phone Number: () _____

Please Select the Product Purchased:

Bikes

Treadmills

- C3
 C7i
 C9i
 R7i
 R9i

- T3
 T3i
 T5
 T5i

Serial Number: _____

Date Purchased: _____

To help us serve you better, please answer the following questions:

Who will be the primary user of the Product? (circle one)

1. adult male 2. adult female 3. child/children

What is the age of the primary user? (circle one)

1. under 18 2. 18-24 3. 25-34 4. 35-44
5. 45-54 6. 55-64 7. 65 or over

What is your total annual household income range? (circle one)

1. less than \$25,000 2. \$25,000-\$34,999 3. \$35,000-\$44,999
4. \$45,000-\$54,999 5. \$55,000 -74,999 6. \$75,000 or more

What best describes your type of employment? (circle one)

1. skilled tradesman 2. general labor 3. executive 4. professional
5. self-employed 6. retired 7. other

How were you informed about Life Fitness products? (circle one)

1. health club 2. newspaper ad 3. magazine ad 4. television ad
5. doctor 6. personal trainer 7. editorial 8. other

Have you previously purchased a Life Fitness product? (circle one)

1. Yes 2. No

If yes, which product? (circle all that apply)

1. Lifecycle bike 2. Treadmill 3. Stairclimber 4. Other

Were you happy with your purchase? (circle one)

1. Yes 2. No

What is your primary reason for this purchase? (circle one)

1. medical 2. weight loss 3. build muscle tone 4. burn calories
5. cardiovascular 6. healthy mind & body 7. other

Do you belong to a health club? (circle one)

1. Yes 2. No

What types of magazines do you commonly read? (circle all that apply)

1. fitness 2. sports 3. fashion 4. entertainment
5. inflight 6. women's / men's 7. political 8. health

M051-00K20-A217
6841901